

# LIMESAND



## LIME INSTRUMENTS

1187 BRITTMOORE ROAD

HOUSTON, TEXAS 77043

[WWW.LIMEINST.COM](http://WWW.LIMEINST.COM)

24 HR SERVICE 1.888.991.LIME

LIMESAND level monitoring system is a radar sensor based system for continuous level measurement of sand will work with any manufacture's equipment.

- Real-time data acquisition
- Integrates seamlessly with LIMEFRAC data van and mixing equipment
- In-house software training
- Worldwide field service

# LIME INSTRUMENTS

## LIMESAND LEVEL MONITORING SYSTEM

The LIMESAND level monitoring system is a radar sensor system for continuous level measurement of sand.



### SOFTWARE COMPONENTS

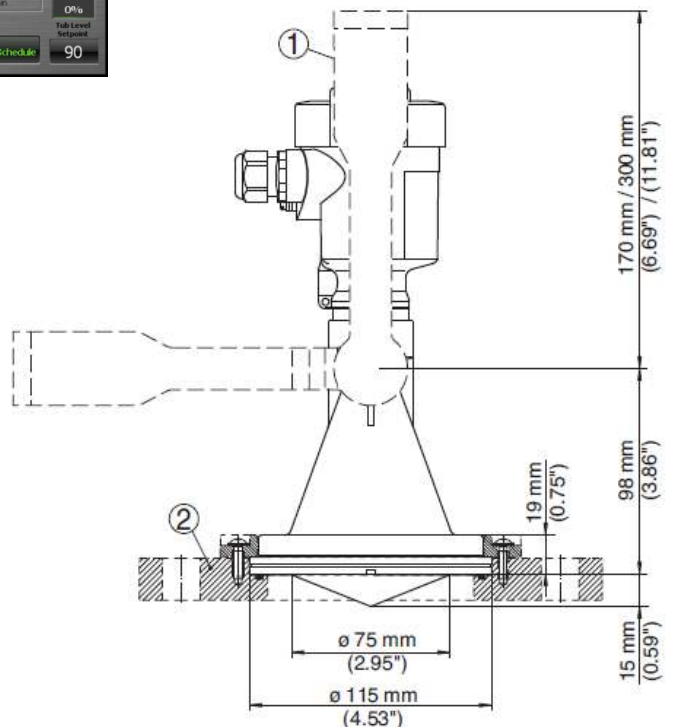
- LIMESAND level monitoring system interfaces with LIMEDAS charting & analysis software
- Ruggedized embedded controller with real-time support for, deterministic control, logging, and analysis
- Windows 7 embedded software designed to run the PC interface from either a remote box streamed to the Datavan

### HARDWARE COMPONENTS

- VEGAPULS 67 mechanical construction optimized for oilfield application
- Injection molded fully sealed rugged Ethernet cables

### ADDITIONAL COMPONENTS

- Connects to data vans and other mixing equipment
  - Blenders, Chemical Additive, and Hydration Systems
- Provides a homogenous view of live logged data



BUILDING LEADING-EDGE CONTROLS AND INSTRUMENTATION SYSTEMS